

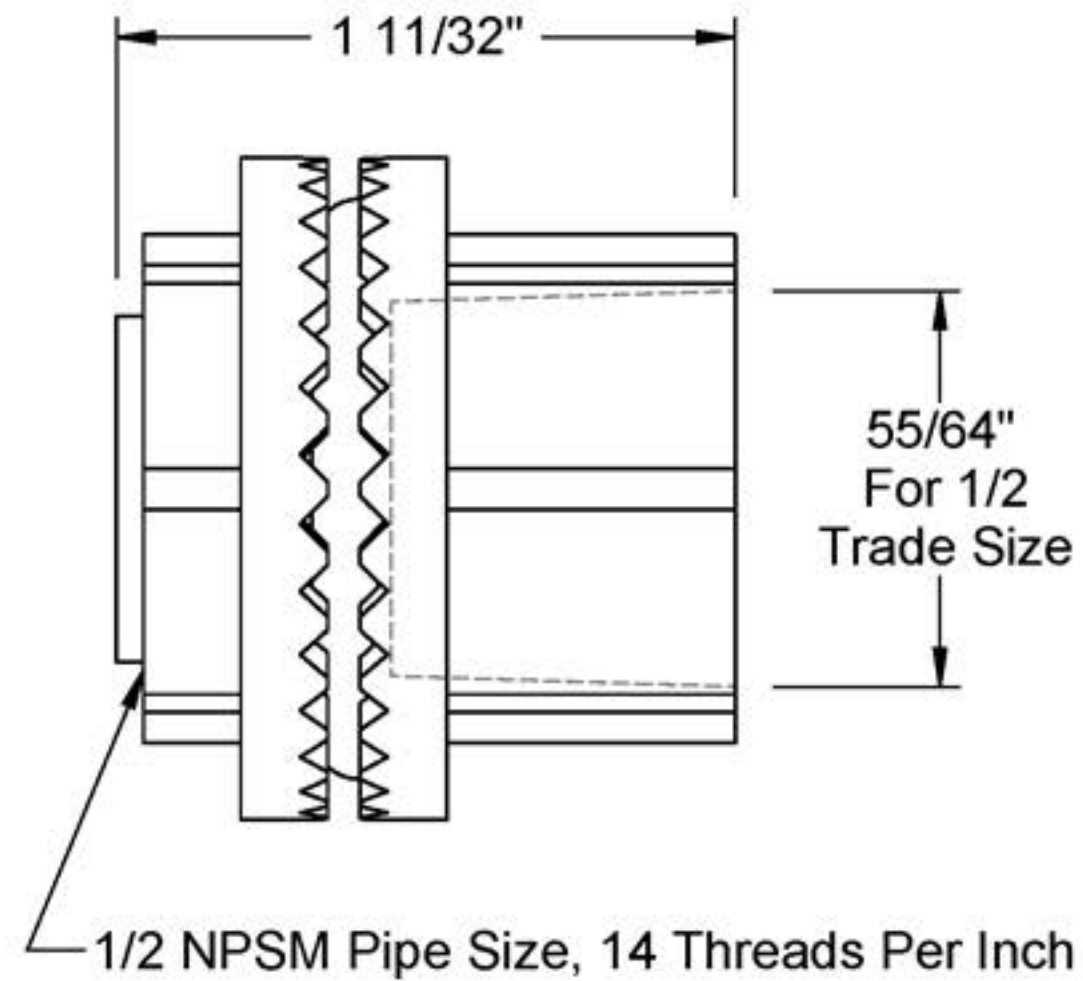
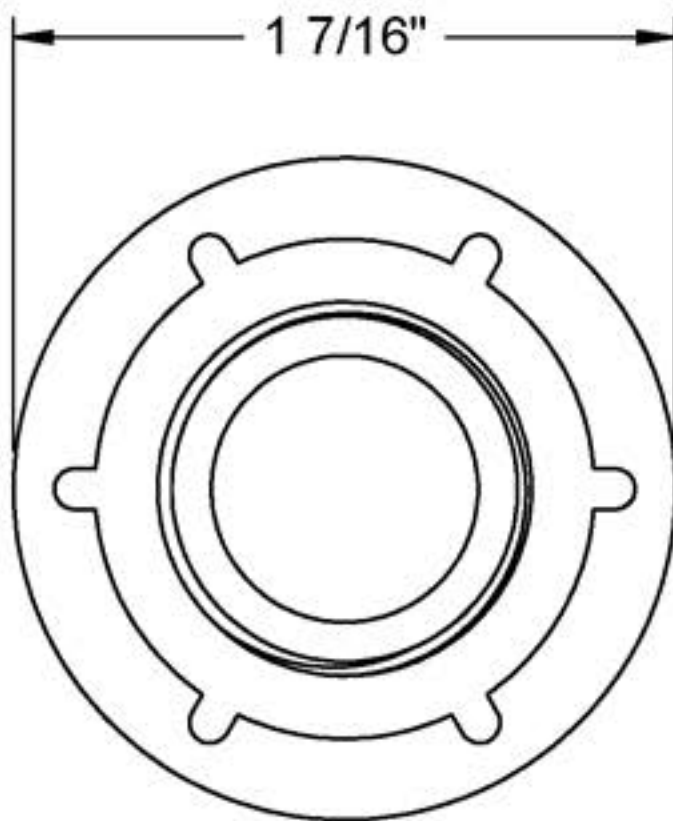
**FIXTURE CONDUIT SEALING HUBS
FOR WATER, DUST AND CORROSIVE ENVIRONMENTS
USE WITH RIGID CONDUIT**



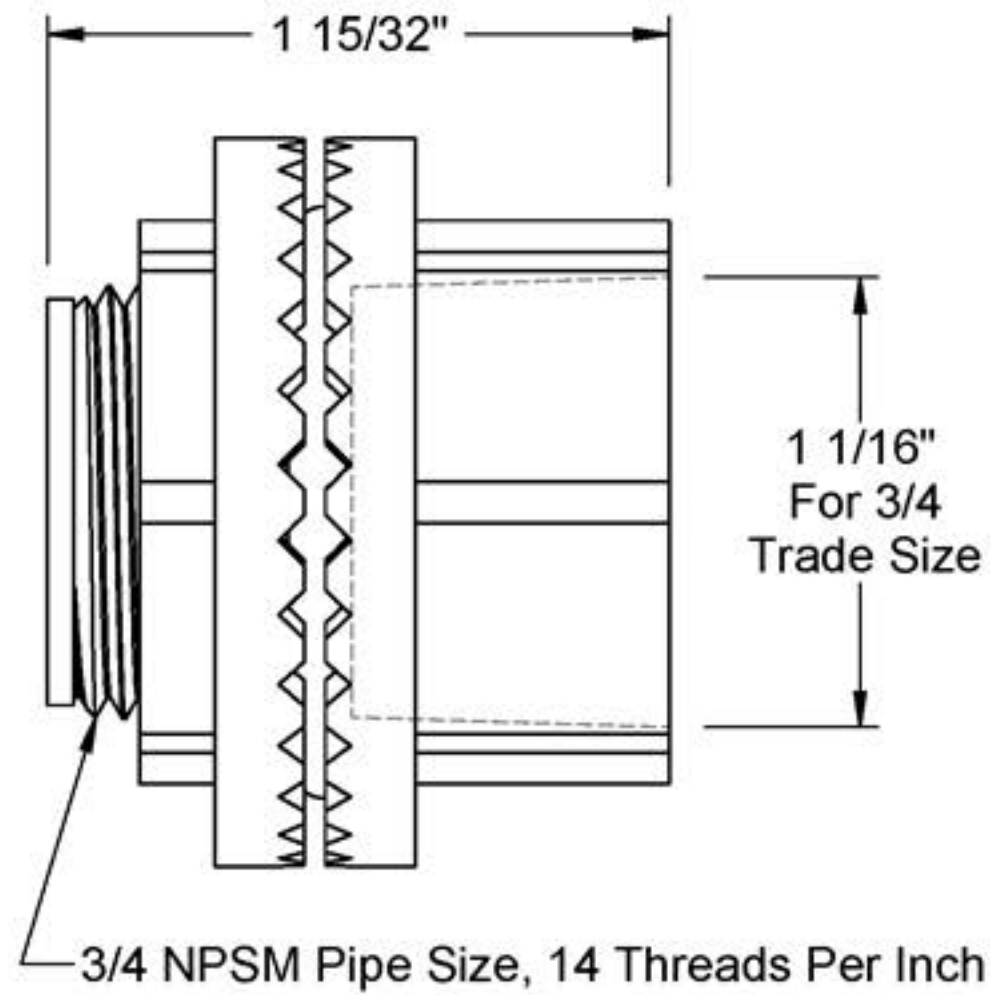
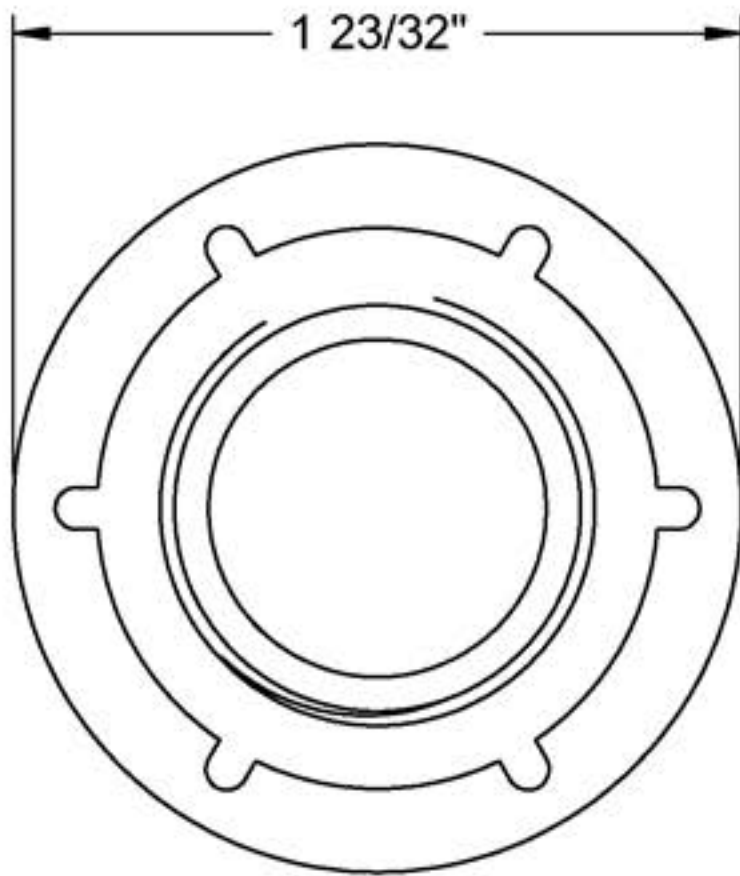
www.cjanderson.com



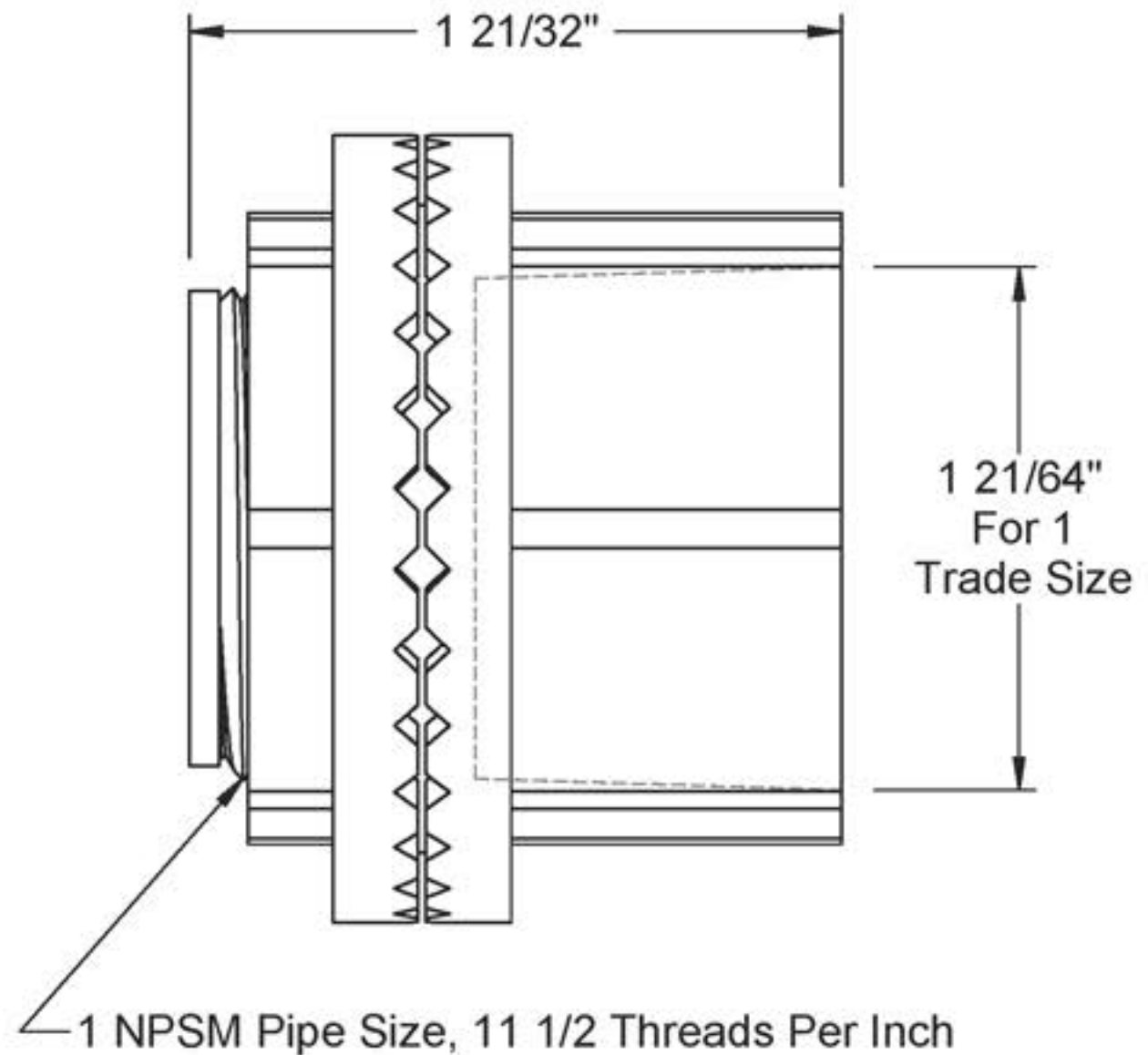
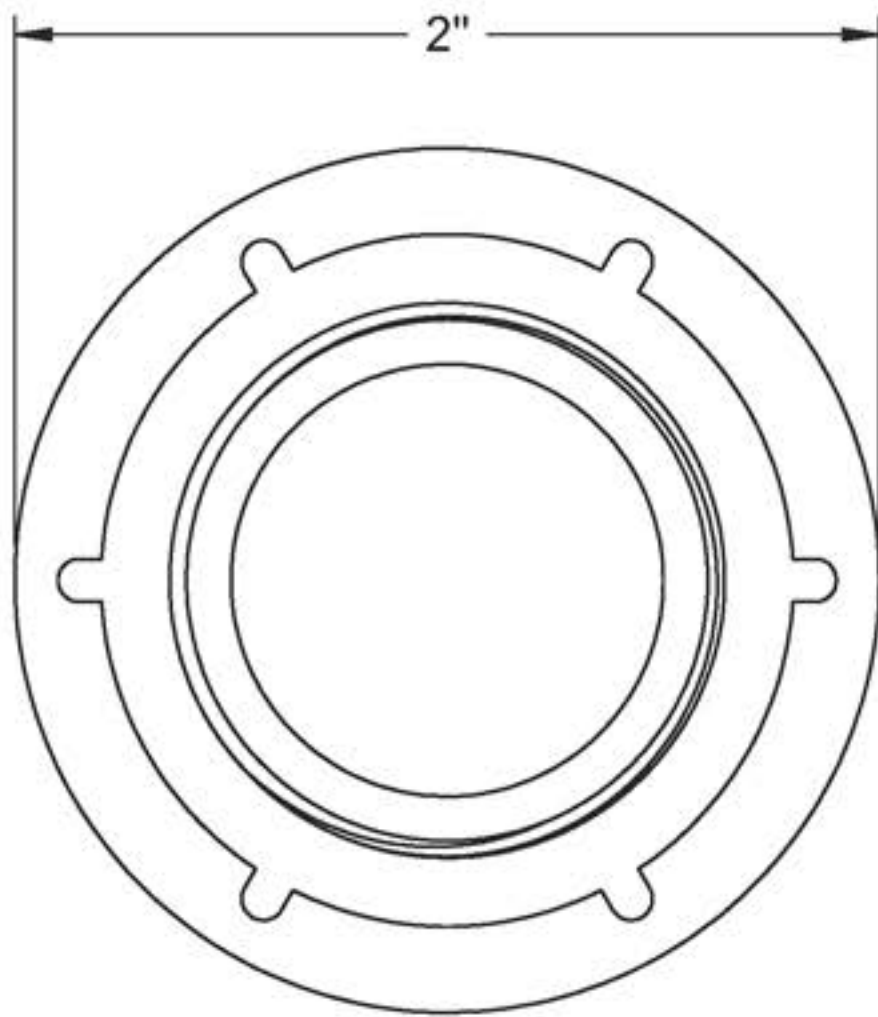
**ITEM: WH-1 (1/2" NPT)
FIXTURE CONDUIT SEALING HUBS
FOR WATER, DUST AND CORROSIVE ENVIRONMENTS
USE WITH RIGID CONDUIT**



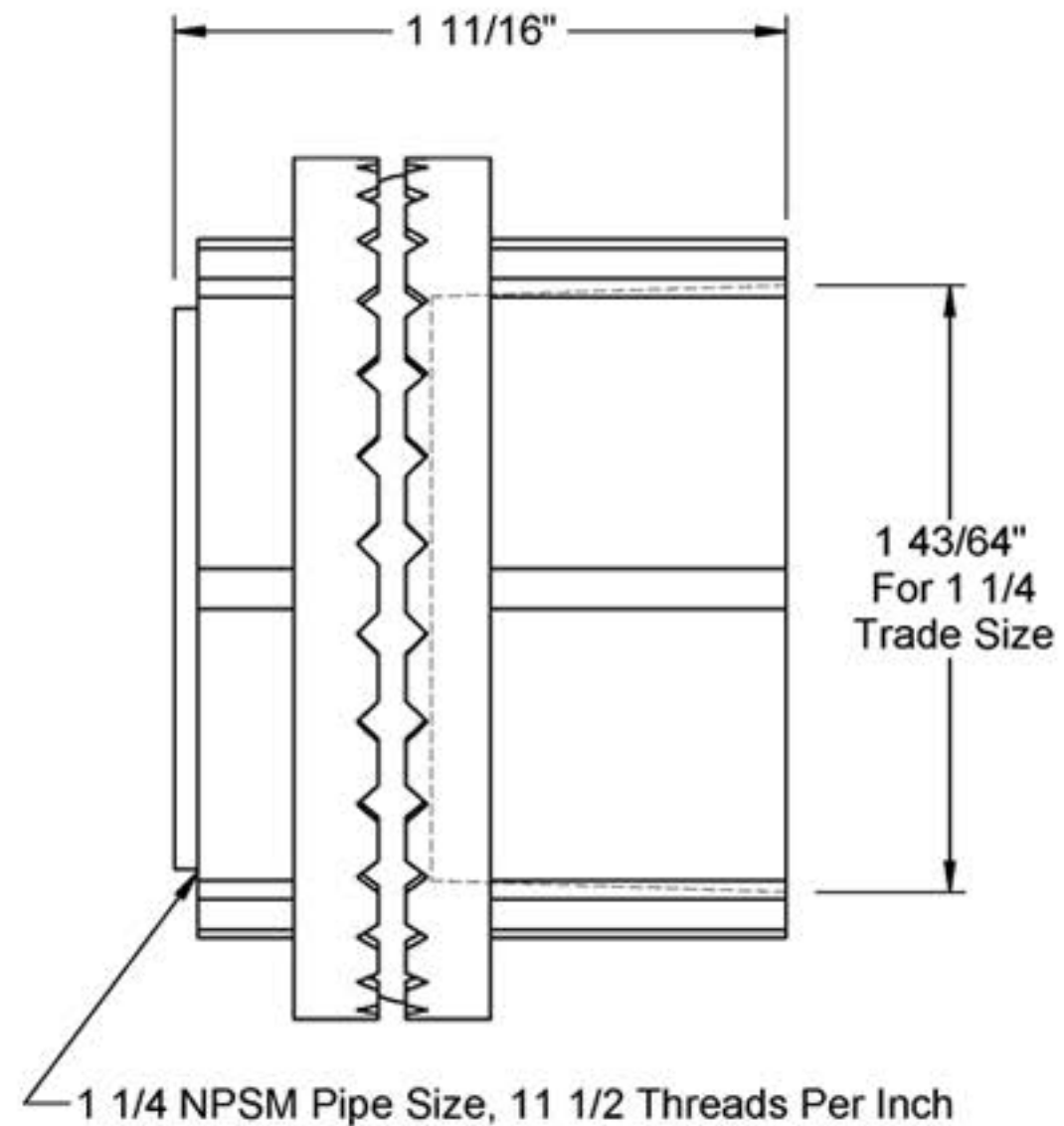
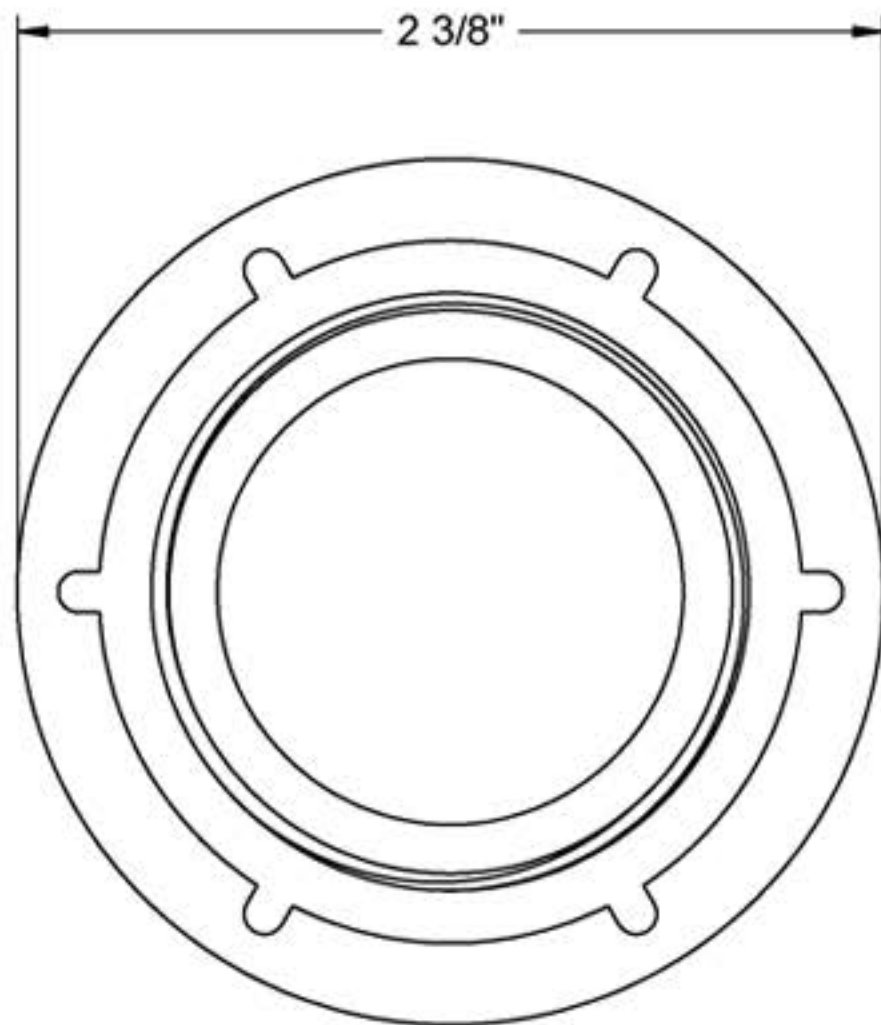
**ITEM: WH-2 (3/4" NPT)
FIXTURE CONDUIT SEALING HUBS
FOR WATER, DUST AND CORROSIVE ENVIRONMENTS
USE WITH RIGID CONDUIT**



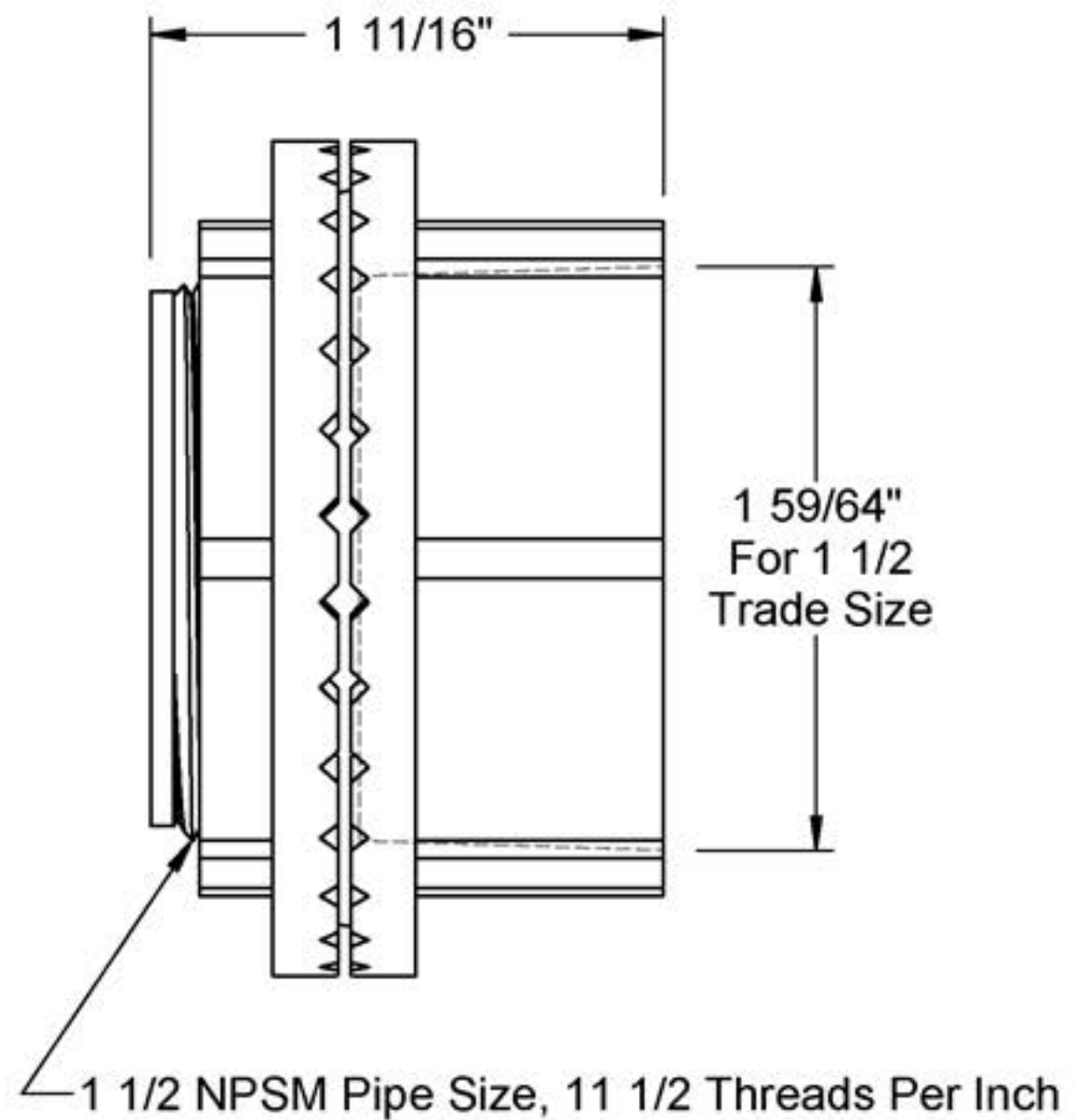
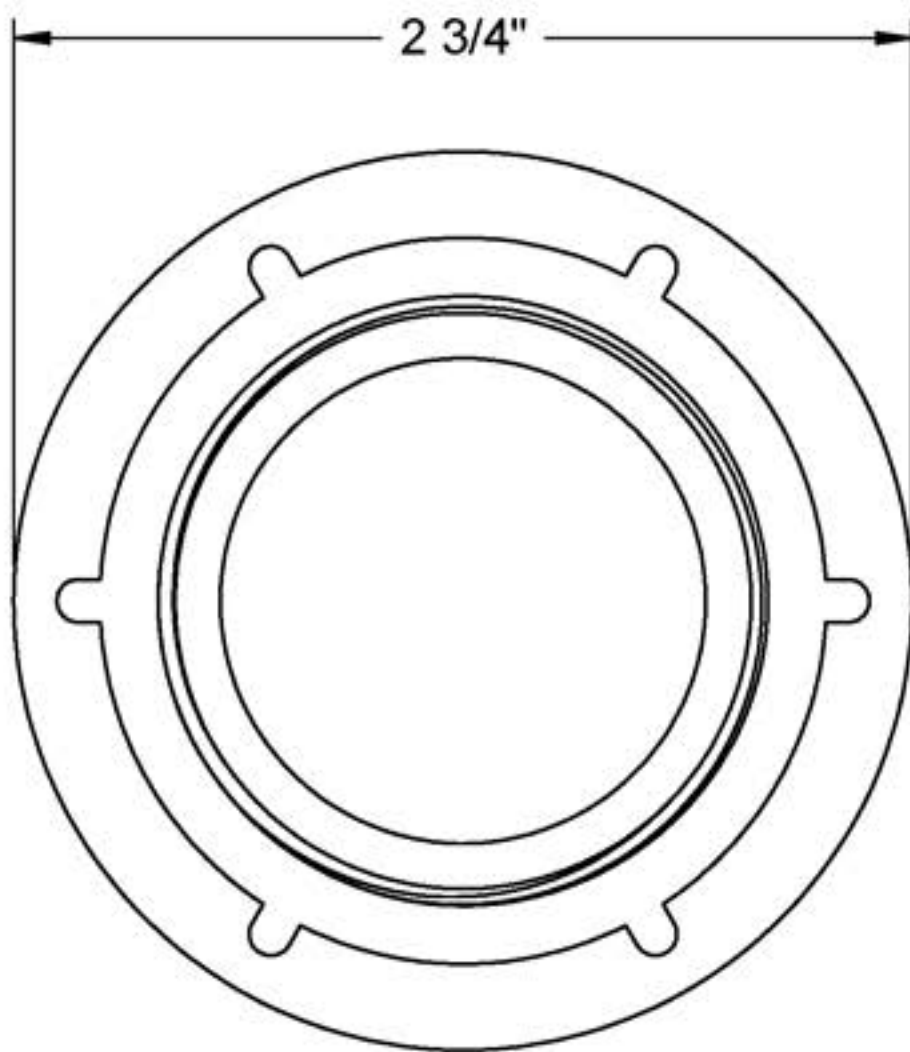
**ITEM: WH-3 (1" NPT)
FIXTURE CONDUIT SEALING HUBS
FOR WATER, DUST AND CORROSIVE ENVIRONMENTS
USE WITH RIGID CONDUIT**



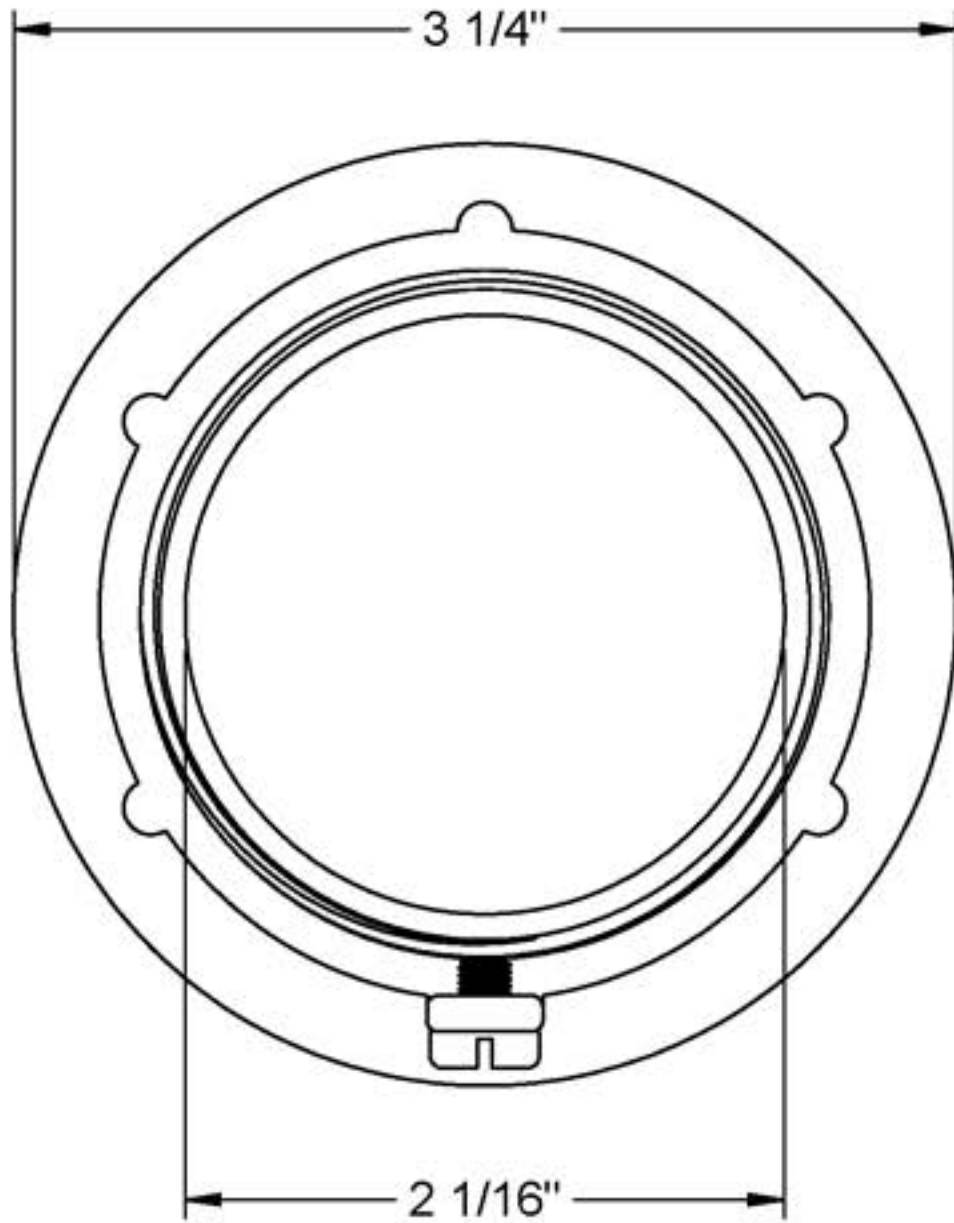
**ITEM: WH-4 (1-1/4" NPT)
FIXTURE CONDUIT SEALING HUBS
FOR WATER, DUST AND CORROSIVE ENVIRONMENTS
USE WITH RIGID CONDUIT**



**ITEM: WH-5 (1-1/2" NPT)
FIXTURE CONDUIT SEALING HUBS
FOR WATER, DUST AND CORROSIVE ENVIRONMENTS**



**ITEM: WH-6 (2" NPT)
FIXTURE CONDUIT SEALING HUBS
FOR WATER, DUST AND CORROSIVE ENVIRONMENTS
USE WITH RIGID CONDUIT**



2 NPSM Pipe Size,
11 1/2 Threads Per Inch

