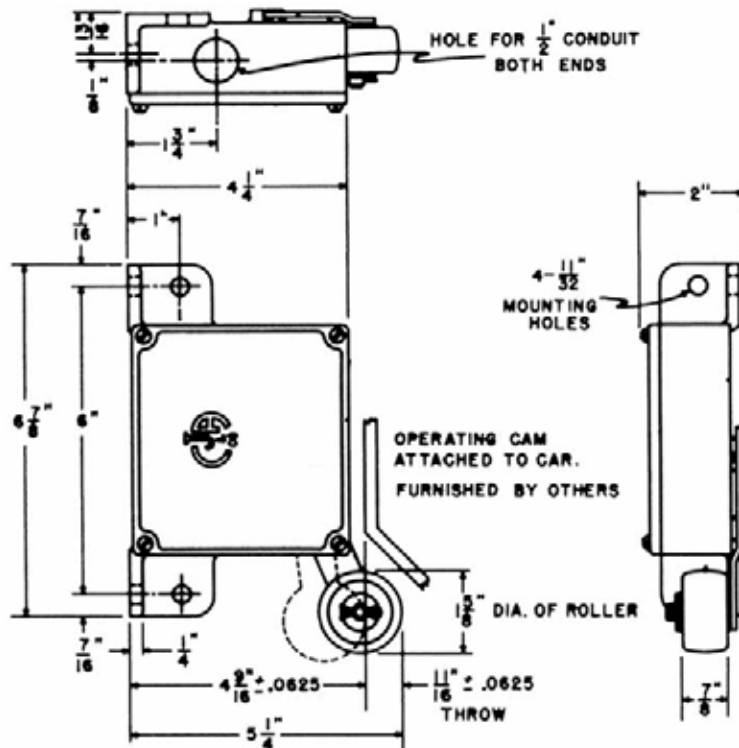


Limit Switches - "C" Series Time Tested, Heavy Duty!



General Information

CJA Limit Switches: "The Standard of the Industry"

CJA limit switches have been around since the 1930's. These early versions were modified in 1951 and again in the 1960's to what is now the C-8, C-81, C-9, C-91, C-101, C-111, CB-51 and the SL limit switch.

Because CJA limit switches have been in use for over 60 years, they are the most familiar and most durable switches in the industry. Our competitors have been unable to duplicate the CJA quality and dependability.

Common Applications

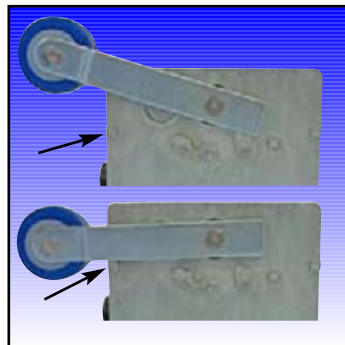
- Hoistway Terminal Switches
- Slow Down Switches
- Over Travel Switches
- Final Limit Switches
- Control Signal Switches
- Combination Safety & Signal Circuit
- Roll Down Gate Switch
- TV Towers

Features

- Solid Sturdy Carbon Contacts
- Self Wiping Contacts
- Metal Loaded Carbon's
- Reversible Carbon's
- Silver to Silver Contacts Available
- Upside Down Installation
- 11/32" Holes For Vertical or Horizontal Mounting
- Tapped Threaded Holes For 1/2" Conduit
- In Stock Replaceable Components
- UL Listed and CSA Approved
- 24-250 Volts AC or DC

Limit Switches - Construction

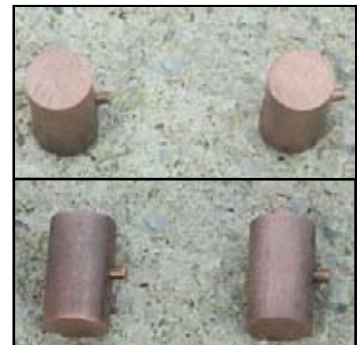
- Zinc Die Cast Enclosure and Cover
- Solid Roller With Nylon Bearing
- No Lubrication Necessary
- Ground Screw
- Cast Positive Stops



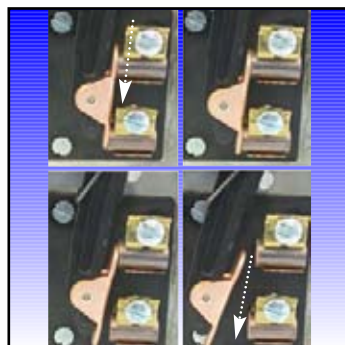
Die Cast Roller Arm Stops



Two Mounting Options



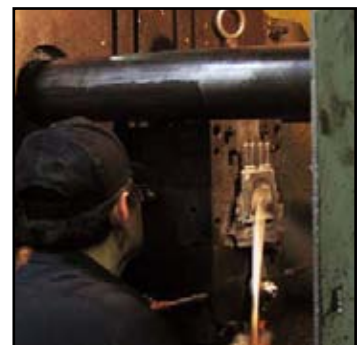
Reversible Contacts



Self Wiping Contacts



Nylon Roller Arm Bearing



Die Cast Construction
Cast here in Chicago

Hatch Switch Packages



*Item: 535-151
C-8 Limit Switch - 1 Normally Closed
Contact Gasketed Cover & Nylon
Bearing*

Complete Packages

CJA Hatch Switch Packages are ideal for any new installation or modernization.

Available in two different types of sealed packages, simply choose between high speed and lower speed NEMA 4/12 applications



*Item: 535-701-WP
SL Limit Switch - 2 Normally Open, 2 Normally Closed Contacts
Gasketed Cover & Nylon Bearing - Used on our 8 Switch
Packages*

Ordering Information

MODELS AVAILABLE

CJA-HSP-1	Standard Hatch Switch Package	CJA-HSP-8-4	High Speed Switch Package SL Switches - NEMA 4/12
CJA-HSP-4	Standard Hatch Switch Package - NEMA 4/12		
CJA-HSP-C1D2	Standard Hatch Switch Package - Class 1, Div.2		
CJA-HSP-N7	Standard Hatch Switch Package - Class 1, Div.1		

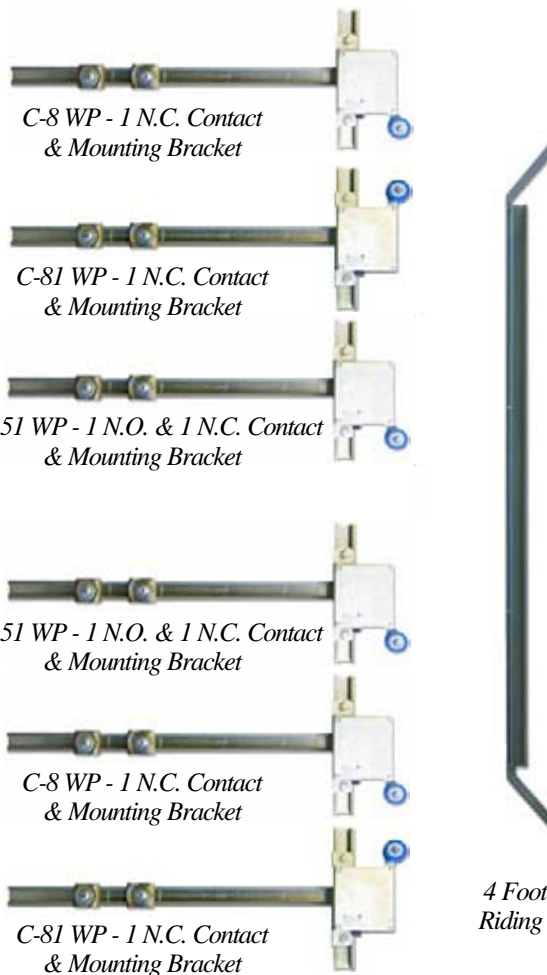
Each Package Includes: 8 SL's, 8 Limit Switch Mounting Brackets & 8 Foot Car Riding Cam

Each Package Includes: 2 C-8's, 2 C-81's, 2 CB-51's, 6 Limit Switch Mounting Brackets and 1 Four Foot Long Car Riding Cam. If you require a different contact arrangement please let us know and we can provide any that you need.

*Item: CJA-HSP-4 - Hatch Switch Package
6 Limits, 6 Mounting Brackets, 1 Car Riding Cam*



*SL-WP - 2 N.O. & 2 N.C. Contacts
& Mounting Brackets*



*C-8 WP - 1 N.C. Contact
& Mounting Bracket*

*C-81 WP - 1 N.C. Contact
& Mounting Bracket*

*CB-51 WP - 1 N.O. & 1 N.C. Contact
& Mounting Bracket*

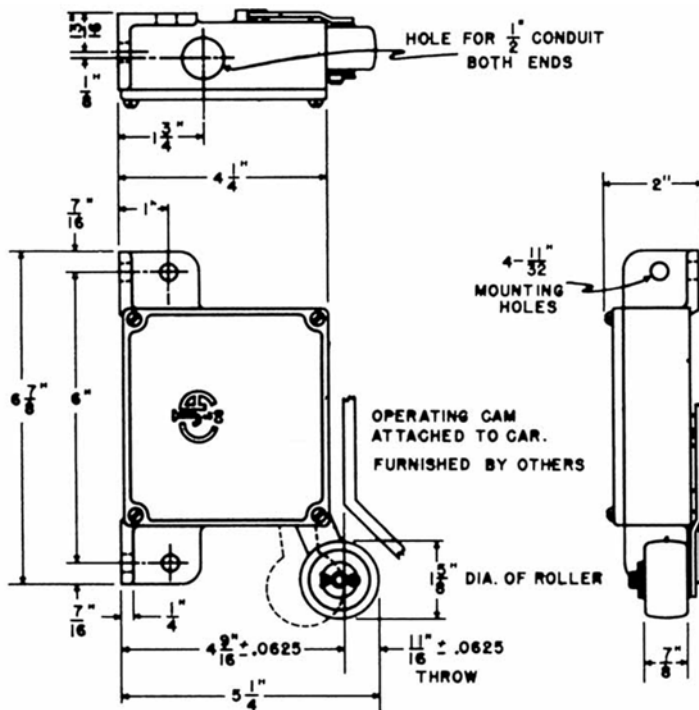
*CB-51 WP - 1 N.O. & 1 N.C. Contact
& Mounting Bracket*

*C-8 WP - 1 N.C. Contact
& Mounting Bracket*

*C-81 WP - 1 N.C. Contact
& Mounting Bracket*

*Item: CJA-HSP-8-4
Hatch Switch Package
8 Limits, 8 Mounting Brackets,
1 Car Riding Cam*

Limit Switch: C-8 1 Normally Closed Contact



Top View
C-8 Limit Switch
NEMA 4

Ordering Information



Item: 53526
C-8 Limit Switch
Standard

C-8 Limit Switch: 1 N.C. Contact

The leader of the pack. The most popular limit switch requested at CJA and has one normally closed contact. The C-8 has a number of uses besides terminal stops.

Water/Dust Tight Models are gasketed and have the same features as the standard heavy duty model.

Hazardous Location Switches have hermetically sealed contacts which are rated for Class 1, Division 2 Locations.

MODELS AVAILABLE

HEAVY DUTY - STANDARD
53526 C-8 Limit Switch

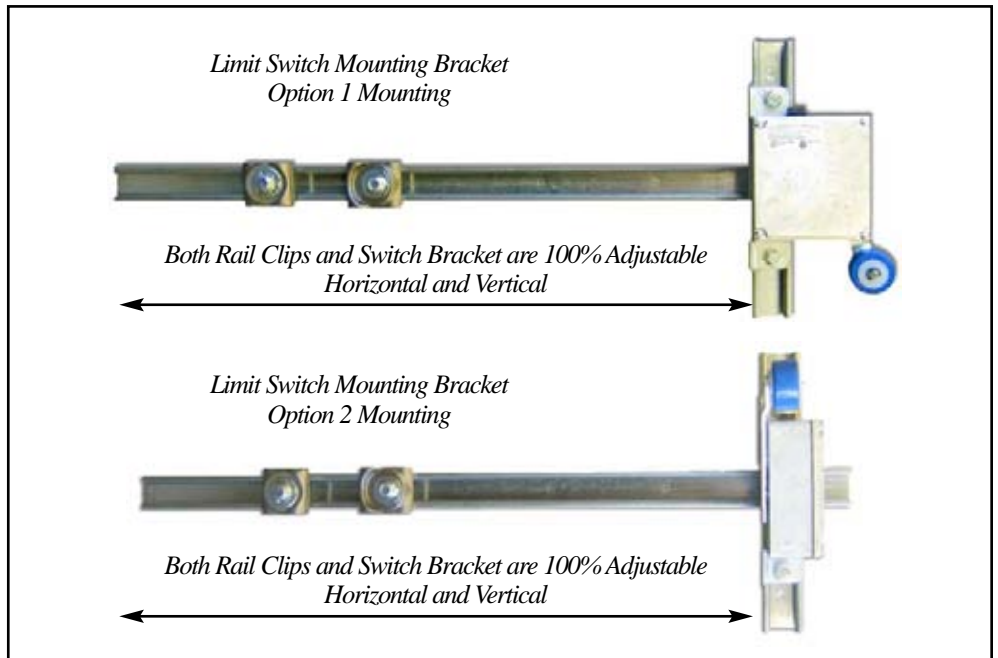
WATER/DUST RESISTANT - NEMA 4/12
535-151 C-8 Limit Switch: N4/12

HAZARDOUS LOCATION
535-151HS C-8 Limit Switch
Class 1, Division 2 Groups
A,B,C&D

TV TOWER - COPPER TIPPED CONTACTS
535-151-SS C-8 Limit Switch



Item: 535-151HS
C-8 Limit Switch
NEMA 4 Class 1, Division 2
Hazardous Location - XP



Limit Switch Mounting Bracket

If you're going to use our limit switches, make sure that you order our adjustable limit switch mounting brackets. Don't waste a mechanic's precious time in the field trying to manufacture mounting when these heavy duty adjustable brackets are in stock and ready to ship.

Two different mounting options provide a great deal of flexibility when installing and matching up to an existing car riding cam.

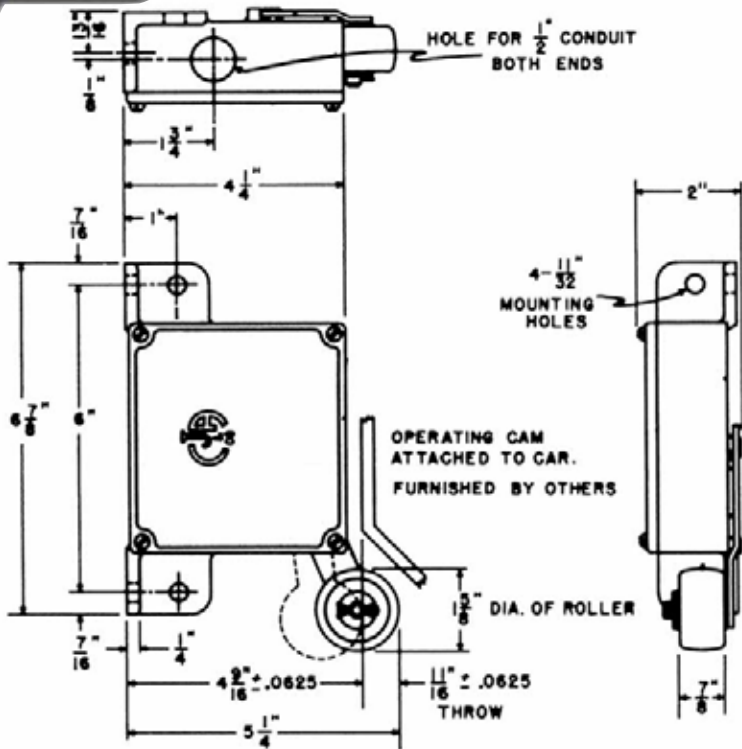
MODELS AVAILABLE

338-181 Limit Switch Adjustable
Mounting Bracket
24" - 30" Long

Need longer or shorter brackets? Just call us and we can modify or create custom ones just for you.

Limit Switch: C-81

1 Normally Closed Contact



Top View
C-81 Limit Switch
NEMA 4

Ordering Information

C-81 Limit Switch: 1 N.C. Contact

If you need the roller on the left side then the C-81LH is what you need.

Water/Dust Tight Models are gasketed and have the same features as the standard heavy duty model.

Hazardous Location Switches have hermetically sealed contacts which are rated for Class 1, Division 2 Locations.

MODELS AVAILABLE

HEAVY DUTY - STANDARD

534-601 C-81LH Limit Switch:

WATER/DUST RESISTANT - NEMA 4/12

534-630 C-81LH Limit Switch:

HAZARDOUS LOCATION

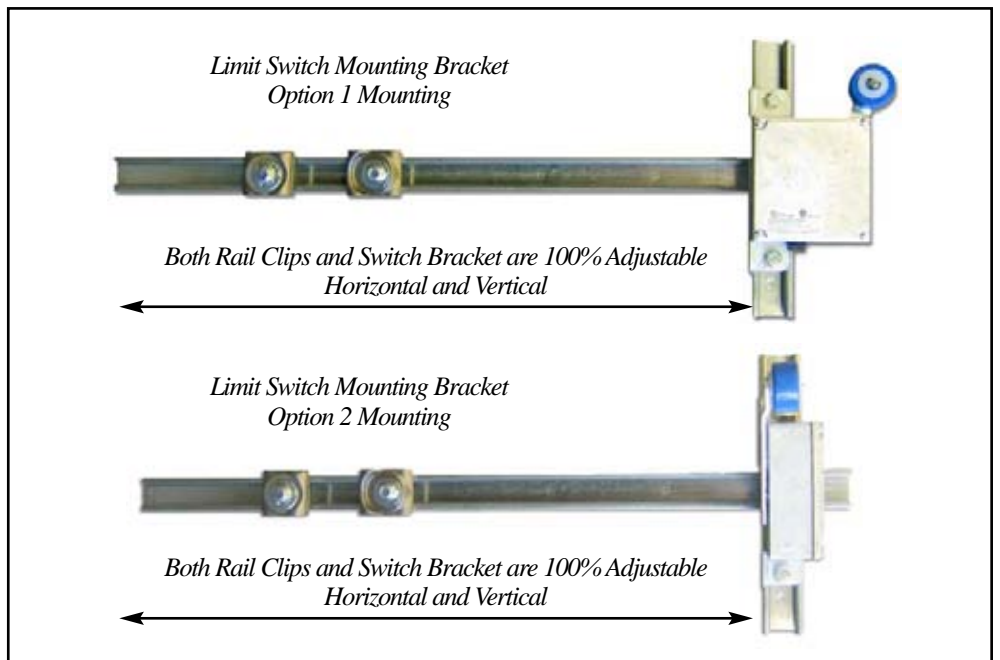
534-630HS C-81LH Limit Switch
Class 1, Division 2 Groups A,B,C&D

TV TOWER - COPPER TIPPED CONTACTS

534-630-SS C-81LH Limit Switch



Item: 534-630HS
C-81 LH Limit Switch
NEMA 4 Class 1, Division 2
Hazardous Location - XP



Limit Switch Mounting Bracket

If you're going to use our limit switches, make sure that you order our adjustable limit switch mounting brackets. Don't waste a mechanic's precious time in the field trying to manufacturer mounting when these heavy duty adjustable brackets are in stock and ready to ship.

Two different mounting options provide a great deal of flexibility when installing and matching up to an existing car riding cam.

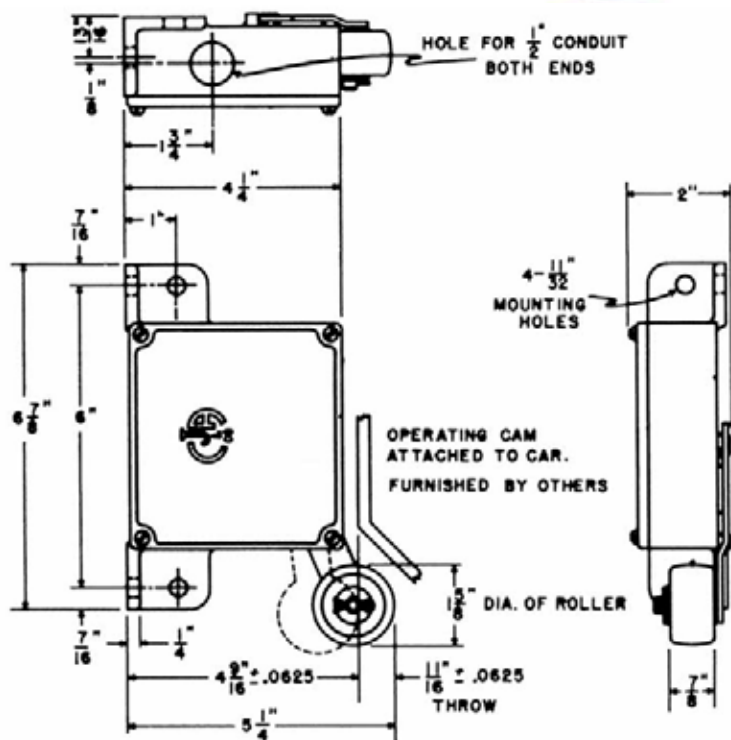
MODELS AVAILABLE

338-181 Limit Switch Adjustable
Mounting Bracket
24" - 30" Long

Need longer or shorter brackets? Just call us and we can modify or create custom ones just for you.

Limit Switch: C-9

1 Normally Opened Contact



Top View
 C-9 Limit Switch
 NEMA 4

Ordering Information



Item: 53551
C-9 Limit Switch
Standard

Need a Normally Opened Contact? Then the C-9 Model is ready for your installation.

Water/Dust Tight Models are gasketed and have the same features as the standard heavy duty model.

Hazardous Location Switches have hermetically sealed contacts which are rated for Class 1, Division 2 Locations.

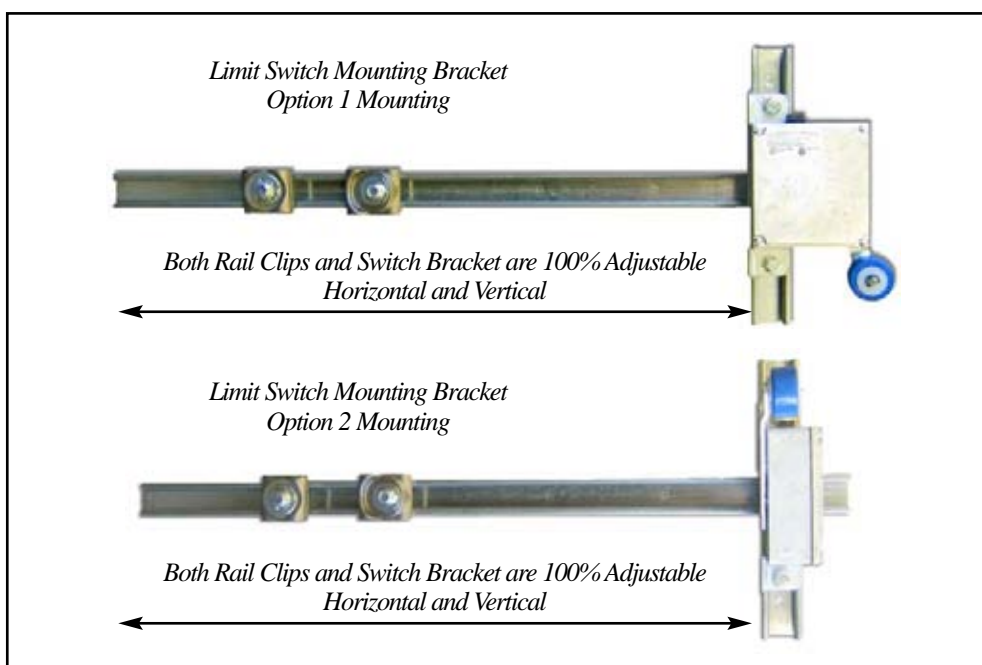
MODELS AVAILABLE

HEAVY DUTY - STANDARD
53551 C-9 Limit Switch:

WATER/DUST RESISTANT - NEMA 4/12
536-151 C-9 Limit Switch:

HAZARDOUS LOCATION
536-151HS C-9 Limit Switch
Class 1, Division 2 Groups
A,B,C&D

TV TOWER - COPPER TIPPED CONTACTS
536-151-SS C-9 Limit Switch



Limit Switch Mounting Bracket

If you're going to use our limit switches, make sure that you order our adjustable limit switch mounting brackets. Don't waste a mechanic's precious time in the field trying to manufacturer mounting when these heavy duty adjustable brackets are in stock and ready to ship.

Two different mounting options provide a great deal of flexibility when installing and matching up to an existing car riding cam.

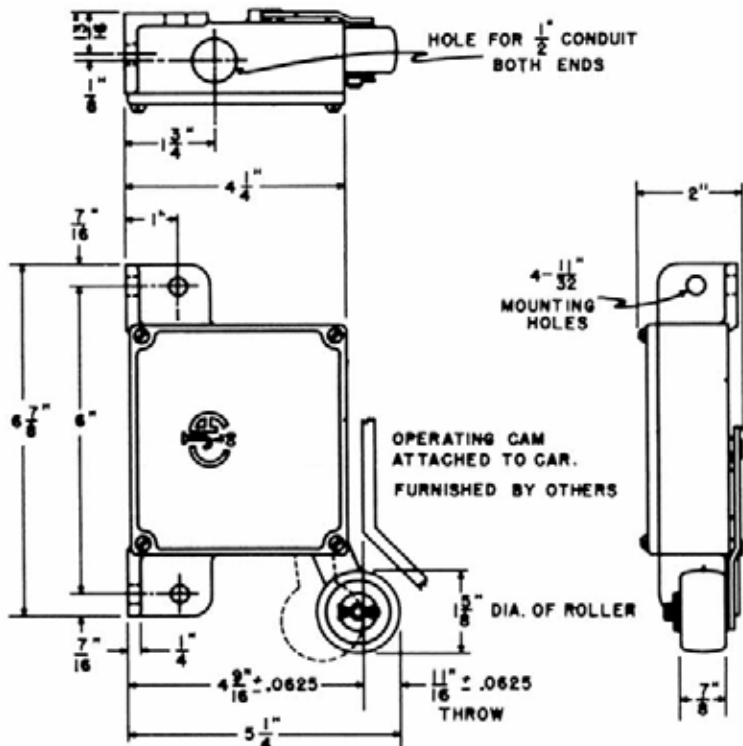
MODELS AVAILABLE

338-181 Limit Switch Adjustable
Mounting Bracket
24" - 30" Long

Need longer or shorter brackets? Just call us and we can modify or create custom ones just for you.

Limit Switch: C-91

1 Normally Opened Contact



Top View
 C-91 Limit Switch
 NEMA 4

Ordering Information



Item: 534-651
C-91 Limit Switch
Standard

C-91 Limit Switch: 1 N.O. Contact

If you need the roller on the left side then the C-91LH Model is what you need.

Water/Dust Tight Models are gasketed and have the same features as the standard heavy duty model.

Hazardous Location Switches have hermetically sealed contacts which are rated for Class 1, Division 2 Locations.

MODELS AVAILABLE

HEAVY DUTY - STANDARD
534-651 C-91LH Limit Switch

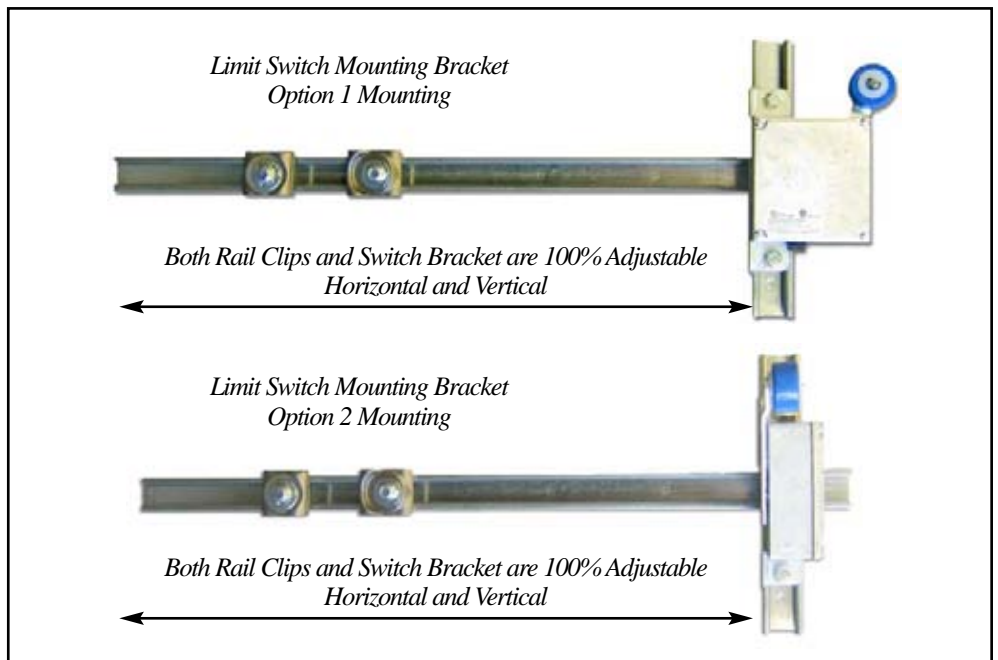
WATER/DUST RESISTANT - NEMA 4/12
534-676 C-91LH Limit Switch

HAZARDOUS LOCATION

534-676HS C-91LH Limit Switch
Class 1, Division 2 Groups
A,B,C&D

TV TOWER - COPPER TIPPED CONTACTS

534-676-SS C-91LH Limit Switch



Limit Switch Mounting Bracket

If you're going to use our limit switches, make sure that you order our adjustable limit switch mounting brackets. Don't waste a mechanic's precious time in the field trying to manufacturer mounting when these heavy duty adjustable brackets are in stock and ready to ship.

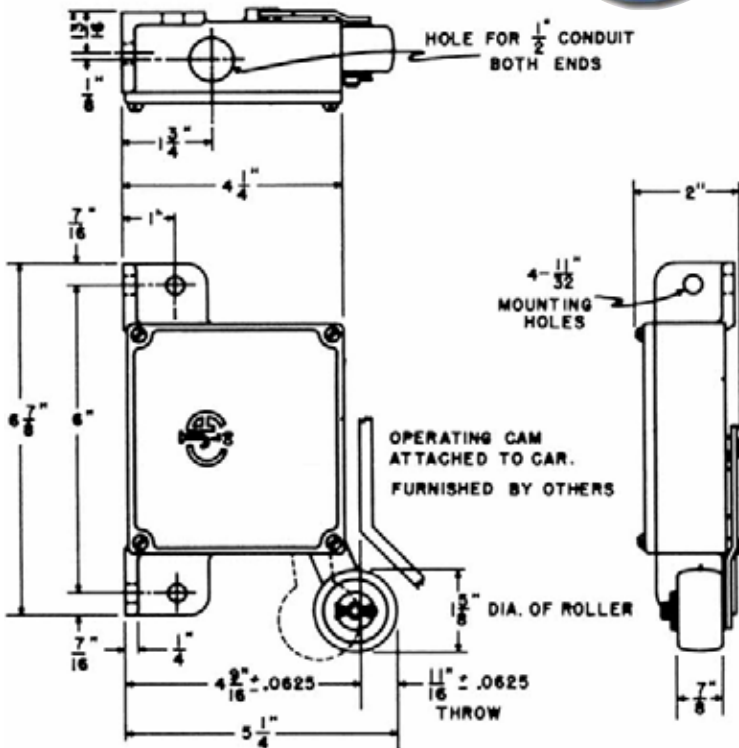
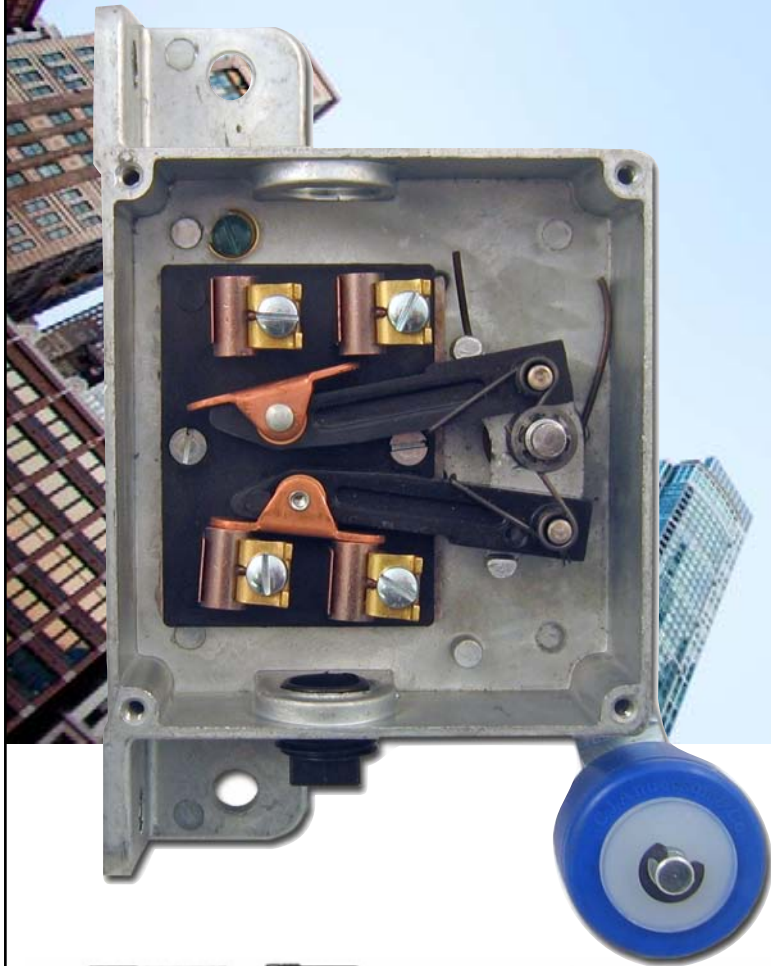
Two different mounting options provide a great deal of flexibility when installing and matching up to an existing car riding cam.

MODELS AVAILABLE

338-181 Limit Switch Adjustable
Mounting Bracket
24" - 30" Long

Need longer or shorter brackets? Just call us and we can modify or create custom ones just for you.

Limit Switch: CB-51
1 Normally Opened
1 Normally Closed Contact



Top View
 CB-51 Limit Switch
 NEMA 4

Ordering Information



Item: 534-651
CB-51 Limit Switch
Standard

CB-51 Limit Switch: 1 N.O. Contact

This switch has one normally opened and one normally closed contact so if you're not certain which contact configuration you need just buy a CB-51. They're used for top and bottom slow downs when both contacts are used.

Water/Dust Tight Models are gasketed and have the same features as the standard heavy duty model.

Hazardous Location Switches have hermetically sealed contacts which are rated for Class 1, Division 2 Locations.

MODELS AVAILABLE

HEAVY DUTY - STANDARD
534-301 CB-51 Limit Switch

WATER/DUST RESISTANT-NEMA 4/12
534-351 CB-51 Limit Switch

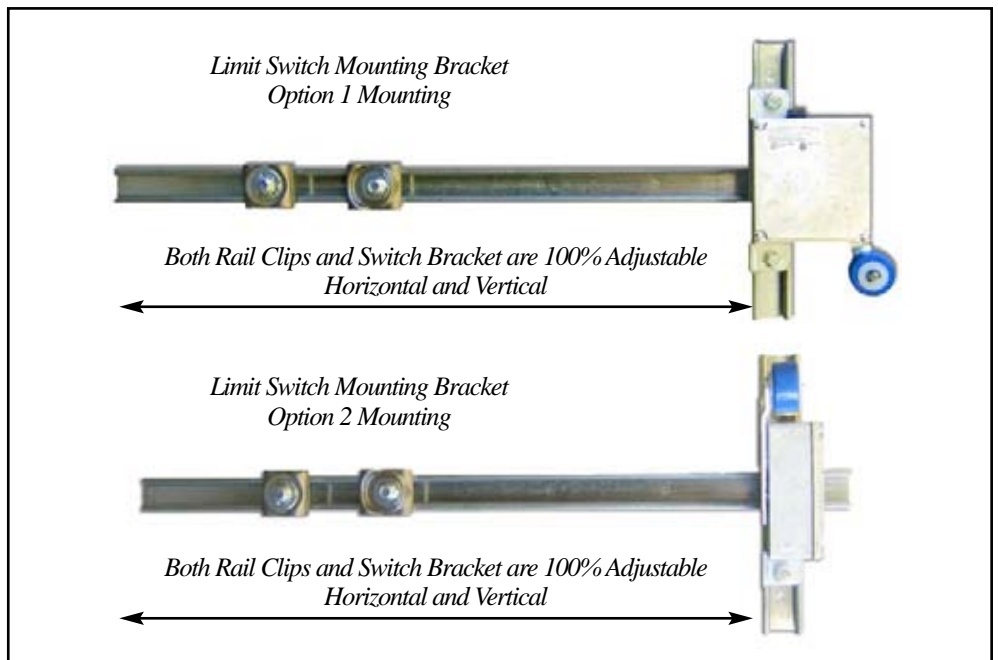
HAZARDOUS LOCATION

534-351HS CB-51 Limit Switch
Class 1, Division 2 Groups A,B,C&D

TV TOWER - COPPER TIPPED CONTACTS
534-351-SS CB-51 Limit Switch



Item: 534-351HS
CB-51 Limit Switch
Class 1, Division 2
Hazardous Location - XP



Limit Switch Mounting Bracket

If you're going to use our limit switches, make sure that you order our adjustable limit switch mounting brackets. Don't waste a mechanic's precious time in the field trying to manufacturer mounting when these heavy duty adjustable brackets are in stock and ready to ship.

Two different mounting options provide a great deal of flexibility when installing and matching up to an existing car riding cam.

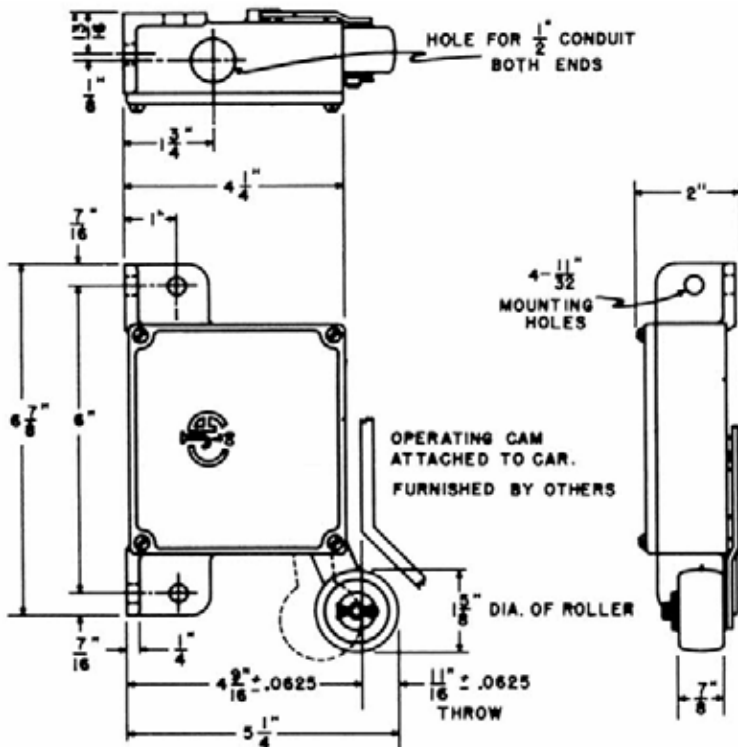
MODELS AVAILABLE

338-181 Limit Switch Adjustable
Mounting Bracket
24" - 30" Long

Need longer or shorter brackets? Just call us and we can modify or create custom ones just for you.

Limit Switch: C-101

2 Normally Opened Contacts



Top View
 C-101 -Limit Switch
 NEMA 4

Ordering Information



Item: 534-401
C-101 Limit Switch
Standard

C-101 Limit Switch: 2 N.O. Contacts

Need two normally opened contacts? Then the C-101 switch is what you need.

Water/Dust Tight Models are gasketed and have the same features as the standard heavy duty model.

Hazardous Location Switches have hermetically sealed contacts which are rated for Class 1, Division 2 Locations.

MODELS AVAILABLE

HEAVY DUTY - STANDARD
534-401 C-101 Limit Switch

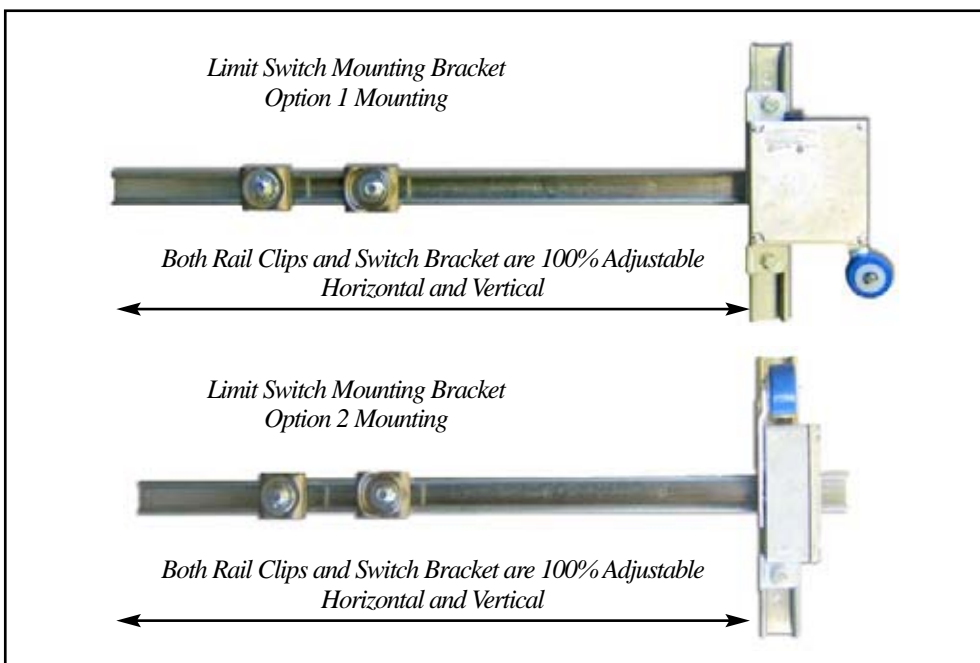
WATER/DUST RESISTANT-NEMA 4/12
534-253 C-101 Limit Switch

HAZARDOUS LOCATION

534-253HS C-101 Limit Switch
Class 1, Division 2
Group A,B,C&D

TV TOWER - COPPER TIPPED CONTACTS

534-253-SS C-101 Limit Switch



Limit Switch Mounting Bracket

If you're going to use our limit switches, make sure that you order our adjustable limit switch mounting brackets. Don't waste a mechanic's precious time in the field trying to manufacture mounting when these heavy duty adjustable brackets are in stock and ready to ship.

Two different mounting options provide a great deal of flexibility when installing and matching up to an existing car riding cam.

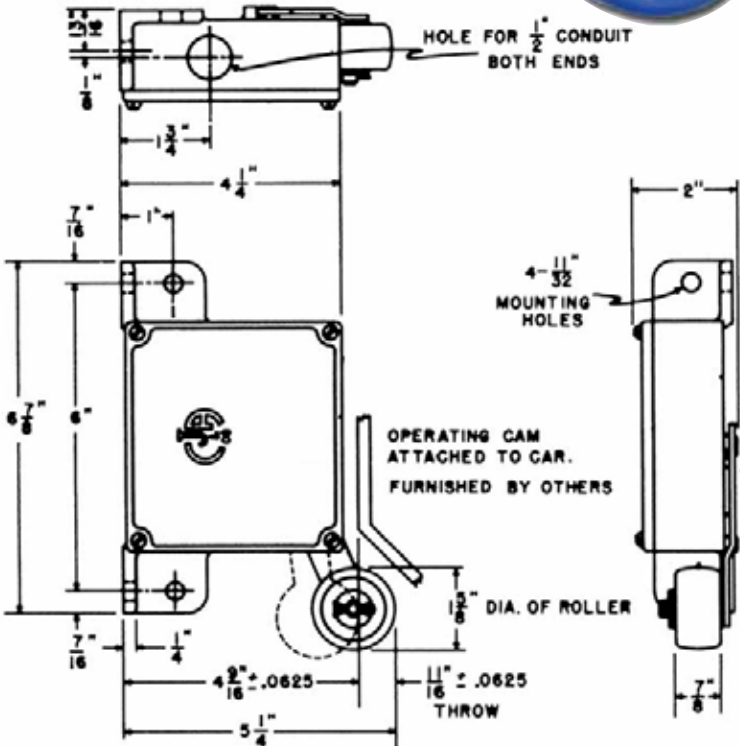
MODELS AVAILABLE

338-181 Limit Switch Adjustable
Mounting Bracket
24" - 30" Long

Need longer or shorter brackets? Just call us and we can modify or create custom ones just for you.

Limit Switch: C-111

2 Normally Closed Contacts



Top View
 C-111 Limit Switch
 NEMA 4

Ordering Information



Item: 534-501
C-111 Limit Switch
Standard

C-111 Limit Switch: 2 N.C. Contacts

Need two normally closed contacts? Then the C-111 switch is what you need.

Water/Dust Tight Models are gasketed and have the same features as the standard heavy duty model.

Hazardous Location Switches have hermetically sealed contacts which are rated for Class 1, Division 2 Locations.

MODELS AVAILABLE

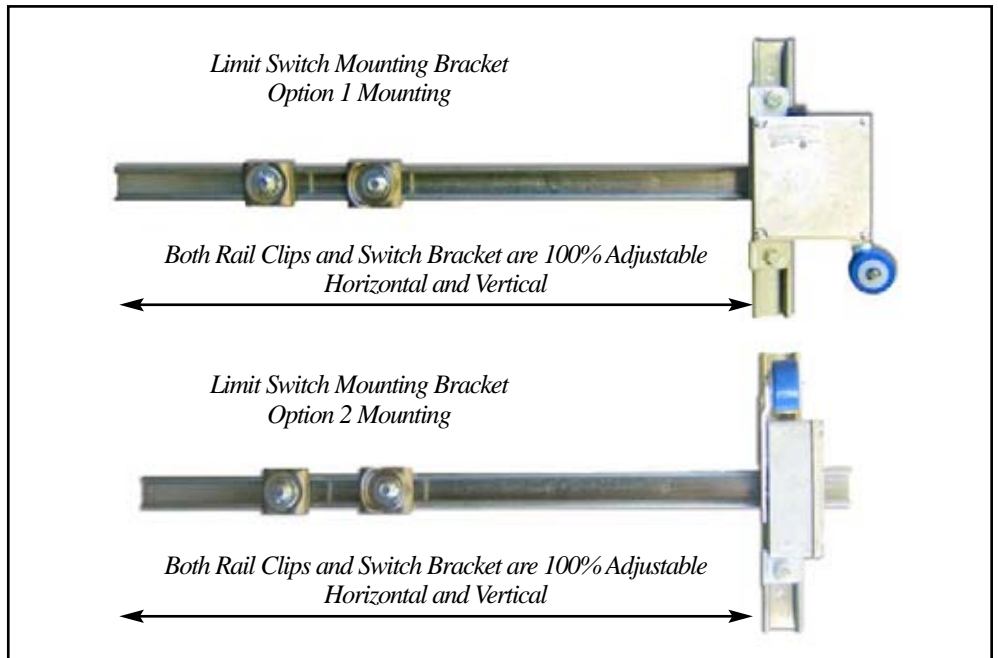
HEAVY DUTY - STANDARD
534-501 C-111 Limit Switch

WATER/DUST RESISTANT-NEMA 4/12
534-151 C-111 Limit Switch

HAZARDOUS LOCATION

534-151HS C-111 Limit Switch
Class 1, Division 2
Groups A,B,C&D

TV TOWER - SILVER CONTACTS
534-151-SS C-111 Limit Switch



Limit Switch Mounting Bracket

If you're going to use our limit switches, make sure that you order our adjustable limit switch mounting brackets. Don't waste a mechanic's precious time in the field trying to manufacture mounting when these heavy duty adjustable brackets are in stock and ready to ship.

Two different mounting options provide a great deal of flexibility when installing and matching up to an existing car riding cam.

MODELS AVAILABLE

338-181 Limit Switch Adjustable
Mounting Bracket
24" - 30" Long

Need longer or shorter brackets? Just call us and we can modify or create custom ones just for you.

Ordering Information

SL Limit Switch: 2 N.O., 2 N.C.

This switch was originally designed to be used on applications where space is a problem. Its compact size, 1.25" wide, fits in the tightest spots.

MODELS AVAILABLE

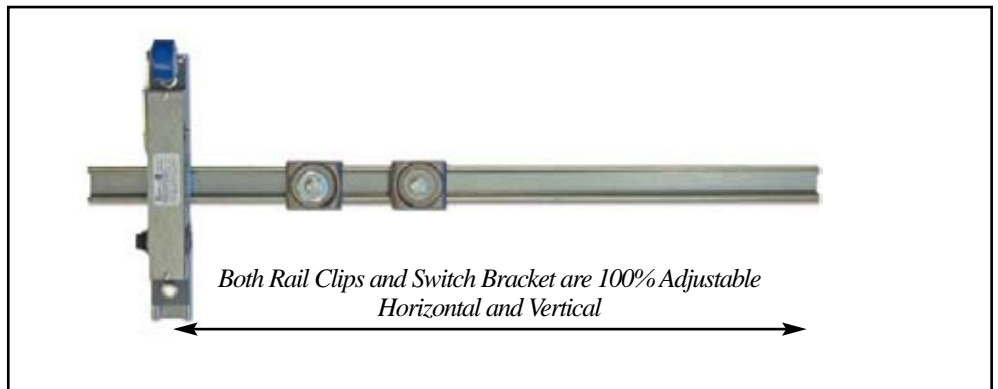
WATER/DUST RESISTANT - NEMA 4/12
535-701-WP SL Limit Switch



Item: 535-701
SL Limit Switch

In addition to being compact it is also designed for heavy duty use. The SL is housed in a sturdy cast aluminum enclosure and the contact configuration (2 N.O. & 2 N.C.) makes it useable for all types of applications. High speed elevators will appreciate their quiet positive acting roller arm along with dependable contacts rated for almost any voltage.

Mount on our standard switch trees right in a row and you can easily install them quickly and save money on labor. Purchase a mounting bracket and fasten to the wall or off the rail.



Limit Switch Mounting Bracket

If you're going to use our limit switches, make sure that you order our adjustable limit switch mounting brackets. Don't waste a mechanic's precious time in the field trying to manufacturer mounting when these heavy duty adjustable brackets are in stock and ready to ship.

MODELS AVAILABLE

338-181 Limit Switch Adjustable
Mounting Bracket
24" - 30" Long

Need longer or shorter brackets? Just call us and we can modify or create custom ones just for you.

Two different mounting options provide a great deal of flexibility when installing and matching up to an existing car riding cam.