

Style HS Style Classic Antique Vintage Elevator Fixtures Perfect for Home Elevators



*Item: 70421-I - Single Button Hall Station
Illuminating Pushbutton - HSI-1*

Classic Antique Fixtures: HS-I Style Illuminating

Identical coverplate and enclosure as the HS Style stations listed above but these are manufactured using our heavy duty VX Brass Pushbuttons which illuminate. Note that they're only rated for 110VAC applications and should **NOT** be used for high voltage DC projects.

Classic Antique Fixtures: HS Style

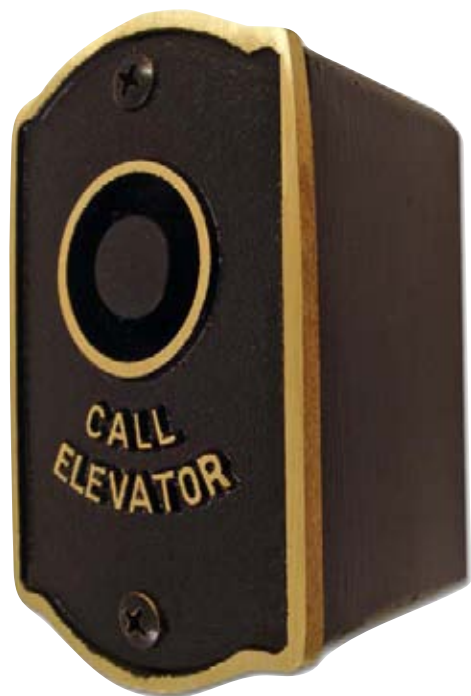
These hall stations are very popular as "Classic" new installations for both passenger and freight elevators. They add a bit of nostalgia to any elevator entrance.

Textures Available

- Granular Texture

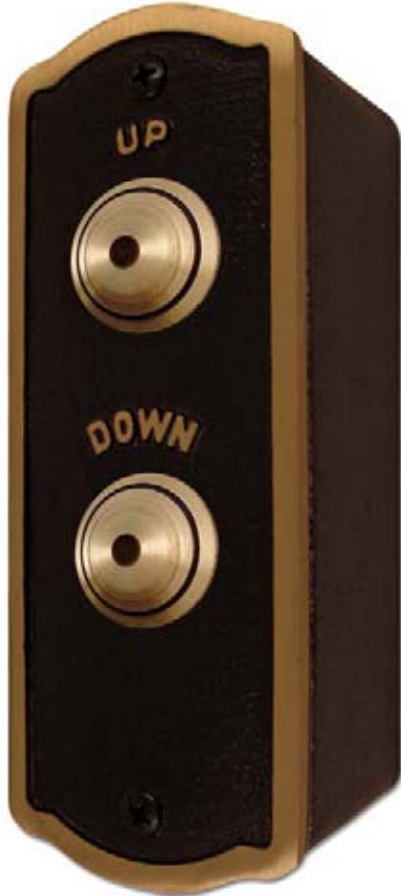
Other Color Inlays Choices

- Canyon Black
- Midnight Blue
- Iris Blue
- Copper
- Sunburst Orange
- London Gray
- Navajo White
- Ivy Green



*Item: 70421 - Single Button Hall Station
Non Illuminating - HS-I*

Ordering Information



HS Non Illuminating Buttons

Product Features

The HS Classic hall station fixture line features:

- Cast Brass Cover Plates
- Cast Aluminum Painted Enclosure
- Raised Brass Borders
- Raised UP/DOWN text
- Surface Mounting
- Heavy Duty Copper to Carbon Contacts
- Can Handle High DC Voltage

MODELS AVAILABLE

70421	HS-1: Single Button
70461	HS-3: Single Button & In-Use Lens
70481	HS-4: Up & Down Buttons with In-Use Lens
70441	HS-5: Up & Down Buttons

Specify Yellow Brass, Bronze or Aluminum when ordering. Ideal for Higher Voltage Applications. Heavy duty carbon to copper contacts.

HS-I Illuminating Buttons

Identical coverplate and enclosure as the HS Style stations listed above but these are manufactured using our heavy duty VX Brass Pushbuttons which illuminate. Note that they're only rated for 110VAC applications and should **NOT** be used for high voltage DC projects.

Product Features

- Cast Brass Cover Plates
- Cast Aluminum Painted Enclosure
- Raised Brass Borders
- Raised UP/DOWN text
- Surface Mounting
- Heavy Duty Copper to Carbon Contacts
- Can Handle High DC Voltage

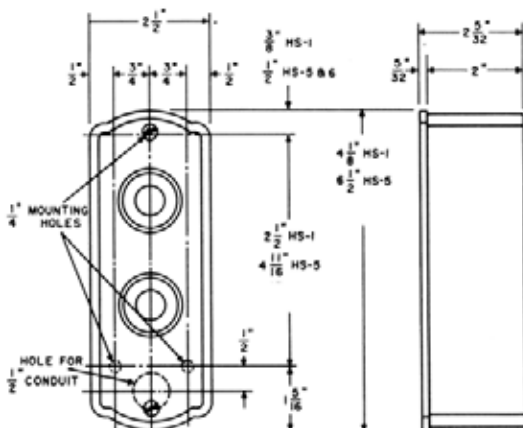
MODELS AVAILABLE

70421-I	HSI-1: Single Button
70461-I	HSI-3: Single Button & Car Here Lens
70481-I	HSI-4: Up & Down Buttons with In-Use Lens
70441-I	HSI-5: Up & Down Buttons

Specify Yellow Brass, Bronze or Aluminum when ordering. Not intended for high voltage (DC) applications, 220VDC.

Item: 70441-I - Double Button Hall Station Illuminating Buttons - HSI-5

TYPES: HS-1 AND HS-5



TYPES: HS-3 AND HS-4

